

SECURITY FIRE SLC-System

2-POINT Spring-return actuator for Fire Dampers

3.30

Application

The JOVENTA SECURITY FIRE electric, spring return damper-actuator series has been specially developed for the motorized operation of safety dampers e.g. fire and smoke protection dampers. When the control signal is applied the actuator drives the damper to the operational position, while evenly tensioning the integrated spring. After a power failure the stored energy in the spring immediately brings the damper to the safety position. Manual operation is automatically cancelled when the actuator is in electrical operation.

Key features

- 24 Volt supply voltage beginning with safety module
- Quick and easy installation
- 10/11/12/14 mm steel adapter for square shaft
- Plug-in terminal block connection
- Interchangeable 2-wire conductor: The actuator power supply and control signal use the same conductor
- Relay contacts for connection to building management systems
- Direct connection of ST1.72N or ST1.90N temperature sensor to monitor shaft internal temperature. Switch point of temperature sensor ca. 72°C or 90°C
- Actuator thermal sensor to monitor ambient temperature. Switch point of temperature sensor ca. 72°C
- Low noise level
- Manual operation with crank handle
- Energy saving at end positions
- Actuators available with 1m halogen-free cable
- Customized versions available
- Devices meet CE requirements

Nomenclature/Specification/Technical data

S	2-point SLC-System
F	10/11/12/14 mm square shaft adapter
L	SLC Control signal
1	T = with thermal sensor
.	90/180 = 90° < rotation angle or 180° < rotation angle
90	1 = 24 V from the safety module BSLC24..
T	L = Left or R = Right for direction of spring return
SLC	Spring return model
/	Safety actuator
10	

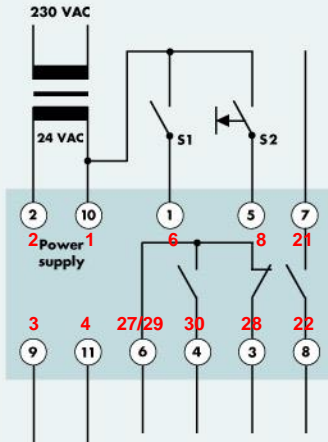
Actuator	Type	SF..1.90..	SF..1.180..
Torque	Nm	16	10
Damper area*	m ²	Per manufacturers information	
Running time Motor	sec	90	120
Running time Spring return	sec	10	10
Supply voltage	V	24 V from safety module BSLC 24	
Frequency	Hz	50	50
Power consumption			
- Running	W	5.6	6.2
- At end position	W	1.3	1.3
Dimensioning	VA / I max	8.5 / 1.3 A @ 2 msec	10.5 / 1.3 A @ 2 msec
Weight	Kg	2.7	2.7
Control signal		2-point SLC	2-point SLC
Position signal		None	None
Angle of rotation/working range		90°	180°
Angle of rotation/limitation		None	None
Service lifetime		60,000 rotations	
Auxiliary switches		from the safety module BSLC24	
Noise level		50 dB (A)	
Protection class		II	
Degree of protection		IP 54	
Cable aperture connection		PG11	
Mode of action		Typ 2.C.L.AB	
Ambient conditions			
- Operating temperature		-20...+50°C as per IEC 721-3-3	
- Storage temperature		-30...+70°C as per IEC 721-3-2	
- Humidity		5...95% rH (non condensing)	
Service		Maintenance-free	
Standards		Mechanics	EN 60 529 / EN 60 730-2-14
		Electronics	EN 60 730-2-14
		EMC Emissions	EN 50 081-1:92 / IEC 61 000-6-3:96
		EMC Immunity	EN 50 082-2:95 / IEC 61 000-6-2:99

SECURITY FIRE SLC-System

2-POINT Spring-return actuator for Fire Dampers

3.30

Wiring diagram



- BSLC-24-SB (Fire protection)**
S1 Control signal OPEN/CLOSE
3 Closed when damper CLOSED
4 Closed when damper OPEN
5 External pulse key RESET/TEST
6 3(1.5) Amp 230 V max.
7 3(1.5) Amp 230 V max.
8 OPEN at ALARM

New JSLC-B
O Points new

24 V - SLC ±20%
 L max.
 450 m/1.50 mm²
 300 m/1.00 mm²
 200 m/0.75 mm²



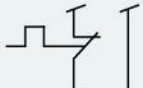
Bridge with no device



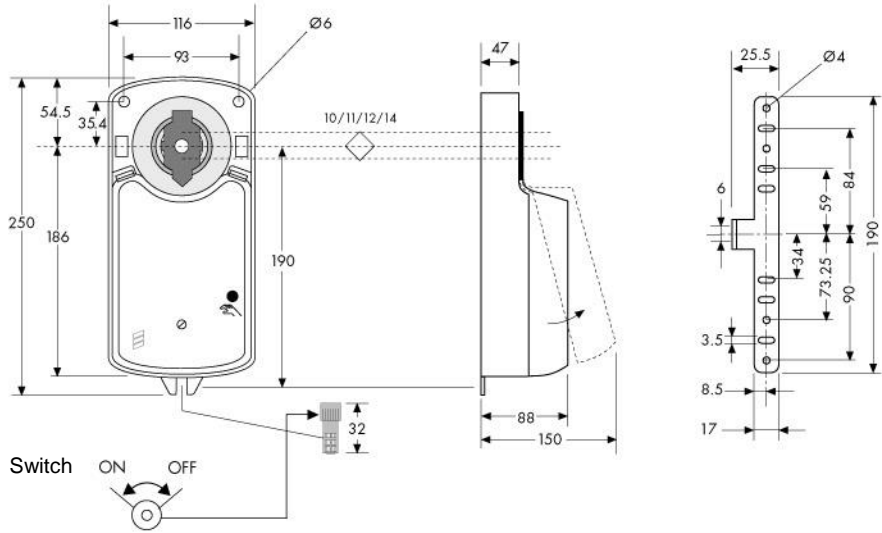
Relay contact or Safety thermostat



Temperature sensor ST1.72N or ST1.90N

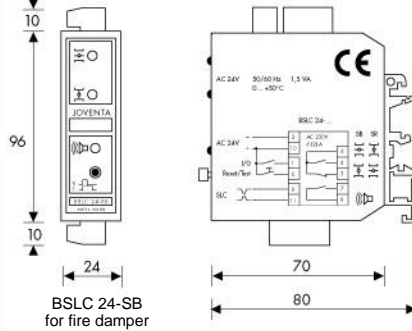


Dimensions in mm



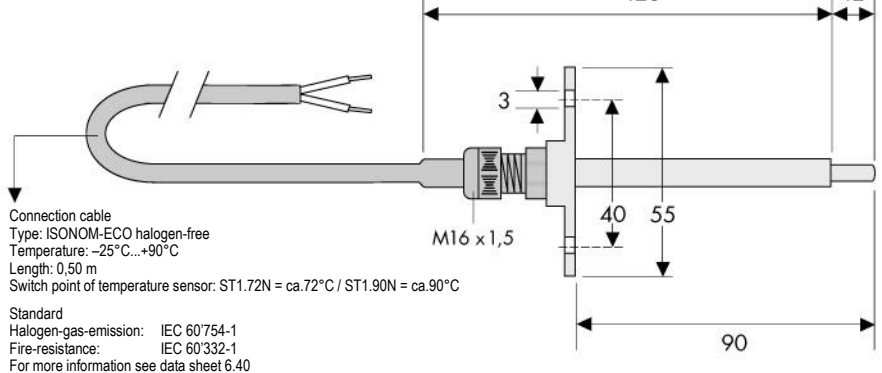
Dimensions in mm

Safety module BSLC 24-SB, JSLC-B



Safety module	Type	BSLC 24-SB / JSLC-B
Supply voltage	V	24 VAC -15...+20%
Frequency	Hz	50-60
Dimensioning	VA	1.5 and actuator
Power consumption	W	1.0 and actuator
Relay contacts	A	3(1.5) Amp 230 V
Connections		Plug-in terminal block connection
Protection class		III (Safety low-voltage)
Degree of protection		IP 40
Mounting in cabinet		Snap-On to 35 mm DIN rail
Ambient temperature		-20...+50°C
Ambient humidity		5...95% rH
Standard		The module meets CE requirement

Temperature sensor ST1.72N / ST1.90N



Symbols for damper positions

