

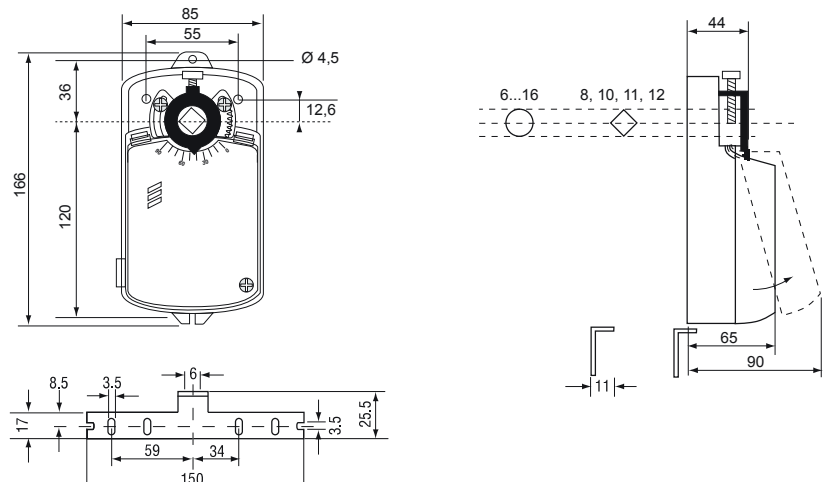
**DMN1.2N**  
Proportional Actuators

**Application**

The Silence electric damper actuator series have been developed to operate small and medium air dampers in ventilation and air conditioning systems. The compact design and universal adapter fitted with limitation of rotation angle make this actuator highly versatile.

**Features**

- DC 0...10 V control
- Up to 5 actuators in parallel operation possible
- Plug-in terminal block connection
- Simple direct mounting with universal adapter for fitting to Ø 6 mm to 16 mm shaft or with Z01DN adapter kit for 8, 10, 11 and 12 mm square shaft.
- 45-mm min shaft length
- Selectable direction of rotation
- Limitation of rotation angle
- Manual release button
- Automatic shut-off at end position (overload switch)
- Energy saving at end positions
- Actuators available with 1 m halogen-free cable



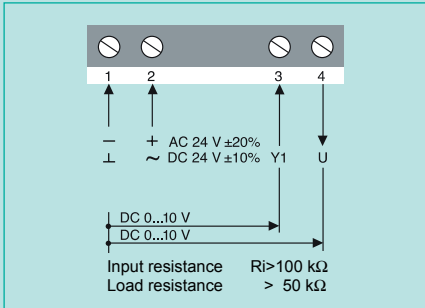
Dimensions in mm

**Ordering Codes**

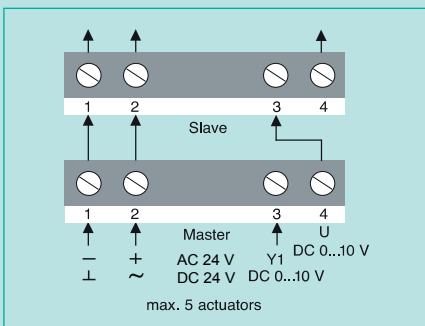
Codes	Descriptions
DMN1.2N	AC/DC 24 V
DMN1.2NK	AC/DC 24 V with 1 m halogen-free cable

**DMN1.2N**  
Proportional Actuators

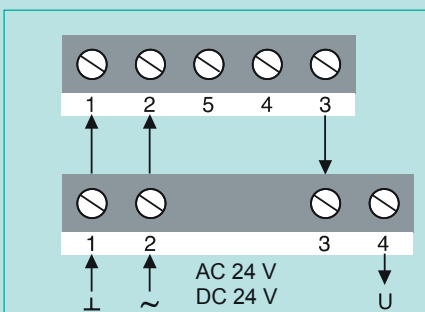
**Wiring Diagrams**



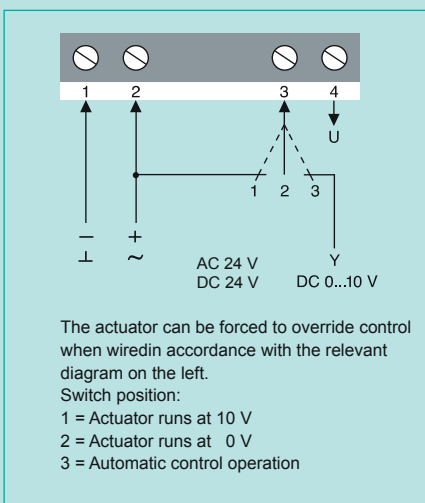
**Parallel connections**



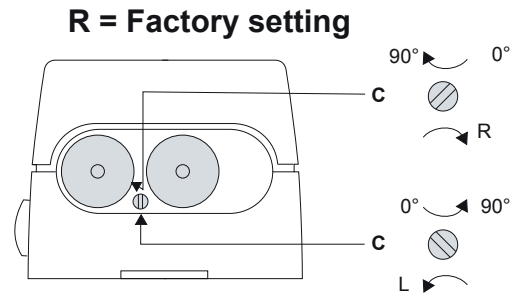
**Positioner**



**Override control**

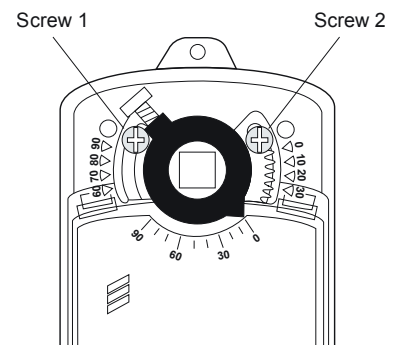


**Changing the direction of rotation**




**Limitation of rotation angle**

The angle of rotation/working range of 90° can be reduced by up to 30° from each end position by means of screw 1 and 2.



DMN1.2N  
Proportional Actuators

## Technical Specifications

Actuator	DMN1.2N
Torque	4 Nm
Damper area*	0.8 m <sup>2</sup>
Running Time	35 s
Supply Voltage	24 V AC/DC
Frequency	50-60 Hz
Power Consumption	
- Running	2.5 W
- At end position	0.75 W
Dimensioning	3.5 V A / 2.5 A @ 2 msec
Control Signal	DC 0...10 V
Position Signal	DC 0...10 V
Angle of rotation	
- Working range	90° (93° mech.)
- Limitation	0°...30° and 90°...60°
Service lifetime	60,000 rotations
Noise level	40 dB (A)
Protection Class	II
Degree of Protection	IP 42
Cable aperture connection	M16 x 1.5
Mode of Action	Type 1
Ambient conditions	
- Operating temperature	-20...+50 °C / IEC 721-3-3
- Storage temperature	-30...+60 °C / IEC 721-3-2
- Humidity	5...95% r.F.
Weight	0.9 Kg
Service	Maintenance-free
 Conformity	EMC Directive 2004/108/EC Low Voltage Directive 2006/95/EC

\*Caution: Please note damper manufacturer's information concerning the open/close torque